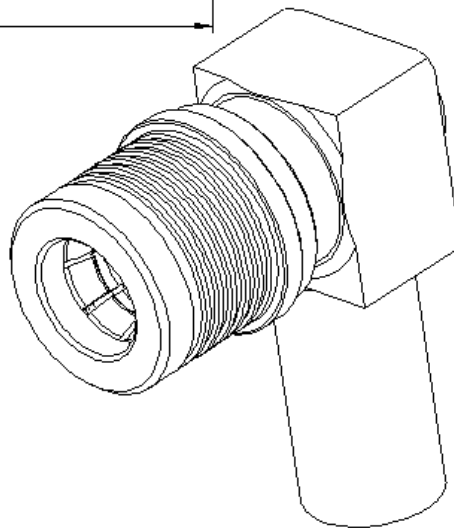
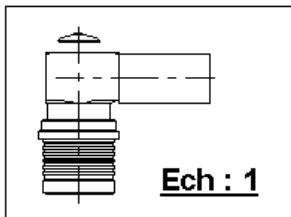
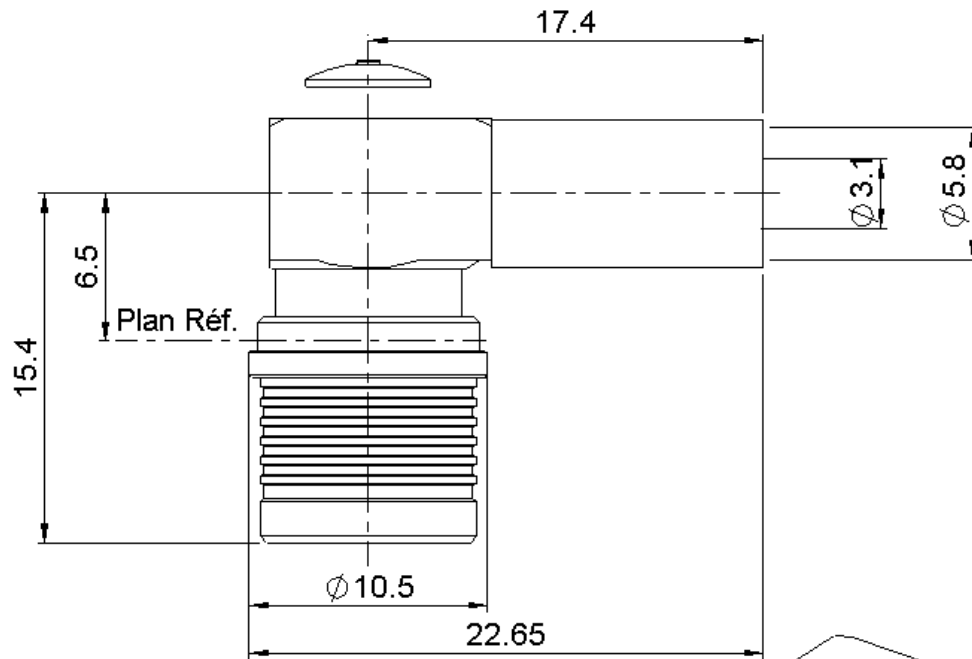


RIGHT ANGLE PLUG CRIMP TYPE

R123.176.000

CABLE 5/50 D

Series : QMA



All dimensions are in mm.

COMPONENTS	MATERIALS	PLATING (µm)
BODY	BRASS	BBR 2
CENTER CONTACT	BRASS	NPGR
OUTER CONTACT	BRASS	BBR 2
INSULATOR	PTFE	
GASKET	-	
OTHERS PARTS	BRASS	BBR 2
.	.	.
.	.	.

Issue : 0709 G

In the effort to improve our products, we reserve the right to make changes judged to be necessary.



RIGHT ANGLE PLUG CRIMP TYPE

R123.176.000

CABLE 5/50 D

Series : QMA

PACKAGING

Standard	Unit	Other
100	'W' option	Contact us

SPECIFICATION

ELECTRICAL CHARACTERISTICS

Impedance	50	Ω
Frequency	0-6	GHz
VSWR	1.15 + 0,0200	x F(GHz) Maxi
Insertion loss	.05	\sqrt{F} (GHz) dB Maxi
RF leakage	- (***)	- F(GHz)) dB Maxi
Voltage rating	335	Veff Maxi
Dielectric withstanding voltage	1000	Veff mini
Insulation resistance	5000	M Ω mini

CABLE ASSEMBLY

Stripping	a	b	c	d	e	f
mm	2,00	7,00	13,0	0,00	11,0	0,00

Assembly instruction : **Crimp 05**

Recommended cable(s)
 RG 142
 RG 142 FTX
 KX 23
 RG 400
 RG 223

Characteristics indicated on this data sheet are those that can be achieved with the highest performance cable. Intrinsic limitations of the cable may diminish the performance of the assembly

Cable retention

- pull off **200** N mini
 - torque **NA** N.cm

MECHANICAL CHARACTERISTICS

Center contact retention		
Axial force – Mating end	18	N mini
Axial force – Opposite end	27	N mini
Torque	NA	N.cm mini

TOOLING

Recommended torque		
Mating	NA	N.cm
Panel nut	NA	N.cm
Clamp nut	NA	N.cm
A/F clamp nut	0,0000	mm
Mating life	100	Cycles mini
Weight	8,4200	g

Part Number	Description	Hexagon
.	.	.
R282.223.000	CRIMPING TOOL	5.41
R282.235.011	CRIMPING DIES M22520/5-11	5.41
R282.293.000	CRIMPING TOOL M22520/5-01	

ENVIRONMENTAL

Operating temperature	-40/+80	$^{\circ}$ C
Hermetic seal	NA	Atm.cm3/s
Panel leakage	NA	

OTHER CHARACTERISTICS

**Intermod. : <-120dBc at 1.8GHz (2x20W)
 ***RF leakage(interface) 3<F<6GHz: >70dB

Issue : 0709 G

In the effort to improve our products, we reserve the right to make changes judged to be necessary.

